

Shaft encoder RI 30

Characteristics: On request, the shaft encoders RV30 can also be incorporated in the housing, mounted on the motor. Ingress protections IP44 to IP65 can be realized.
Other technical data see RV 30

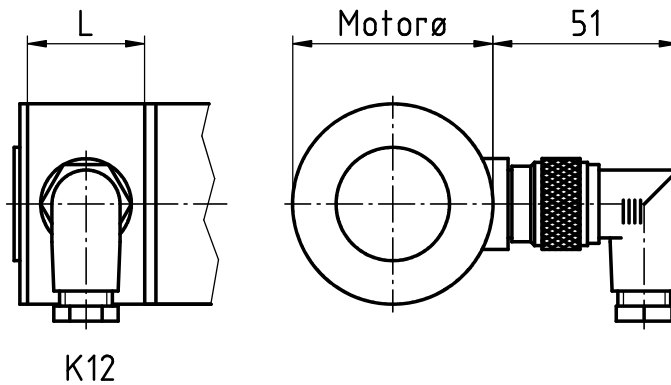
Technical data:

Type RI 30

Pin assignment:

K12 12pole
A – GND
B – Supply voltage +5V
C – B channel
D – \bar{B} channel
E – A channel
F – \bar{A} channel
G – 0 channel
H – $\bar{0}$ channel
J – not assigned
K – not assigned
L – not assigned
M – not assigned

Dimensiones / Wiring diagrams:



| Motorø | L / mm |
|--------|--------|
| 53 | 48 |
| 68 | 46 |
| 83 | 40,5 |
| 95 | 51 |

RI 30 = IP44-IP65

weitere technische Daten
siehe RV 30